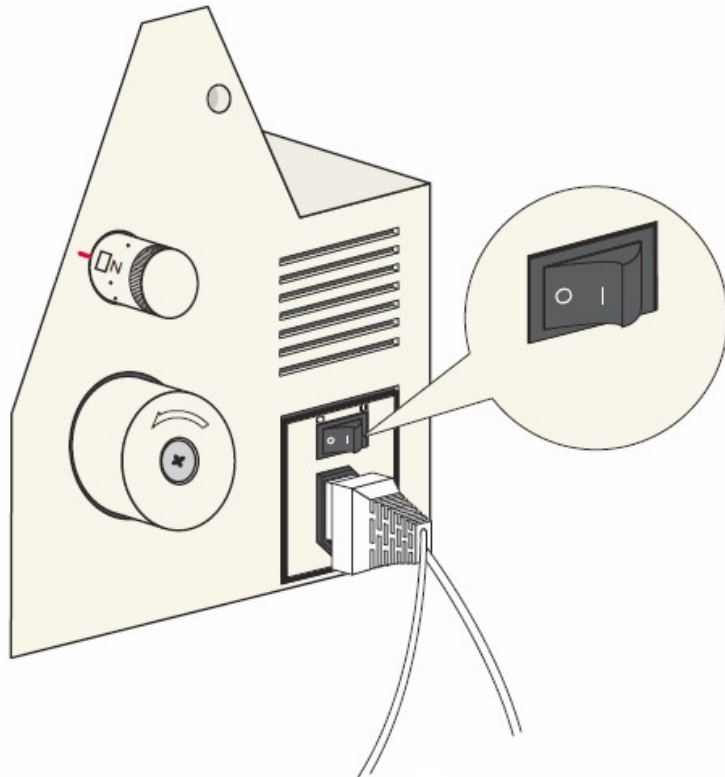


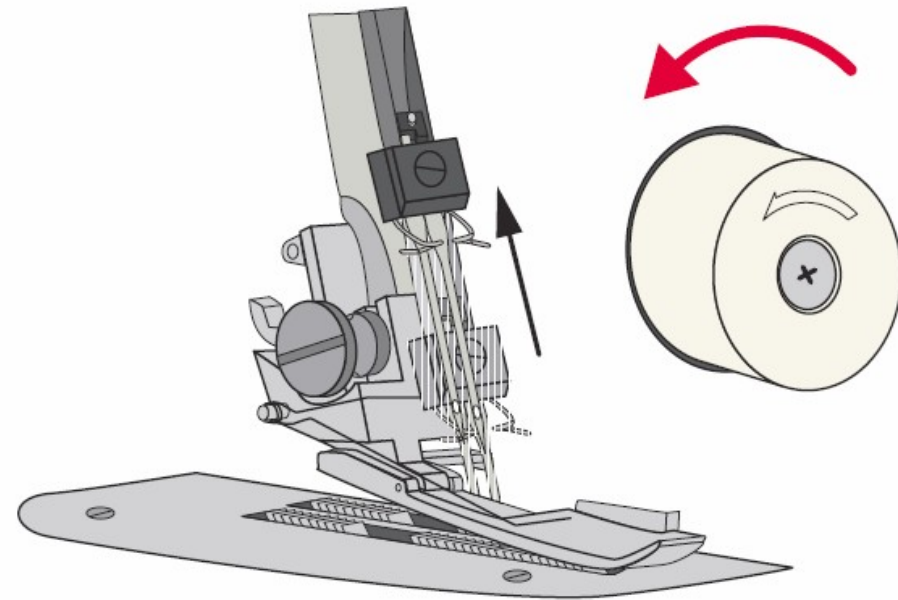


www.matri.eu

1



2

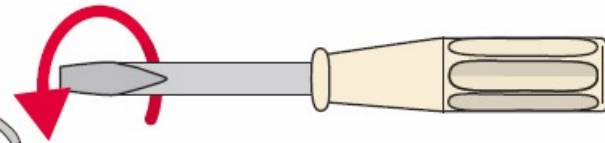


For your safety, please turn the machine off, unplug the machine.

Turn the handwheel towards you, to put the needles in the highest position.

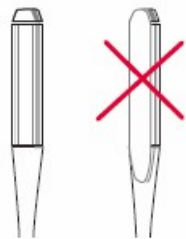
Loosen the needle clamp screw and take out both needles.

3



4

With flat side away from you, insert two new needles in the groove of the needle bar as far up as they will go.



5

It is normal that the left needle sits higher than the right needle.