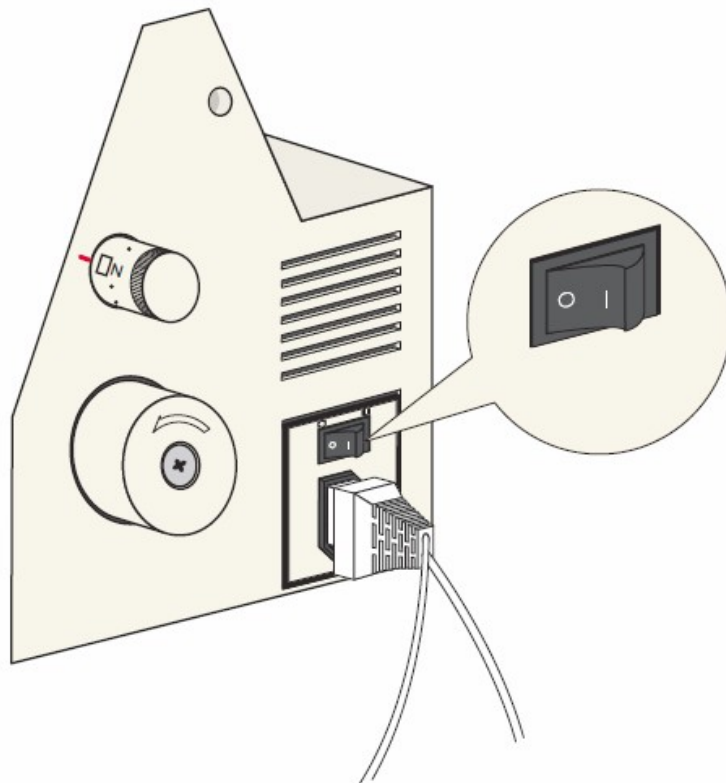
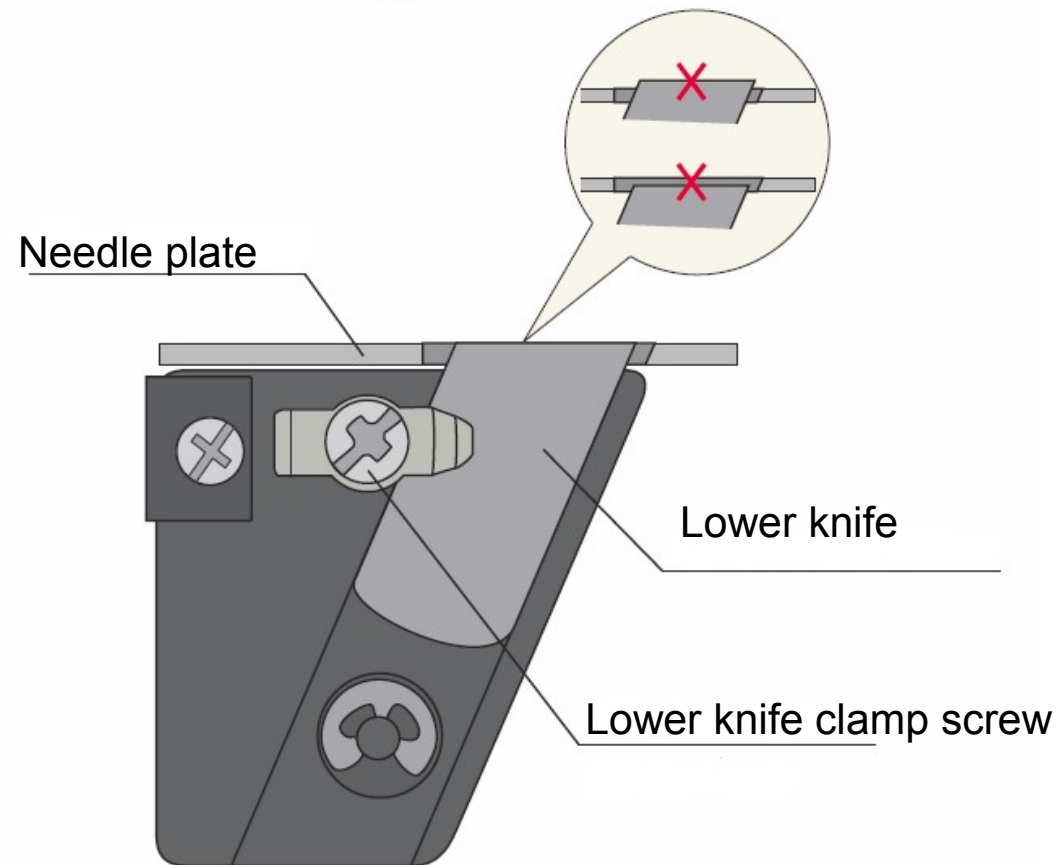


1



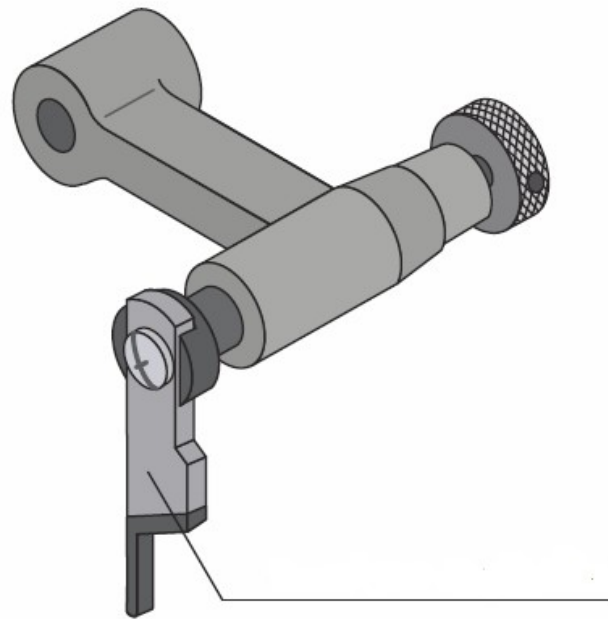
For your own safety switch off the machine and unplug the machine.

2



Unscrew the lower knife clamp screw and remove the lower knife. Insert the new knife and align with the top of the needleplate.

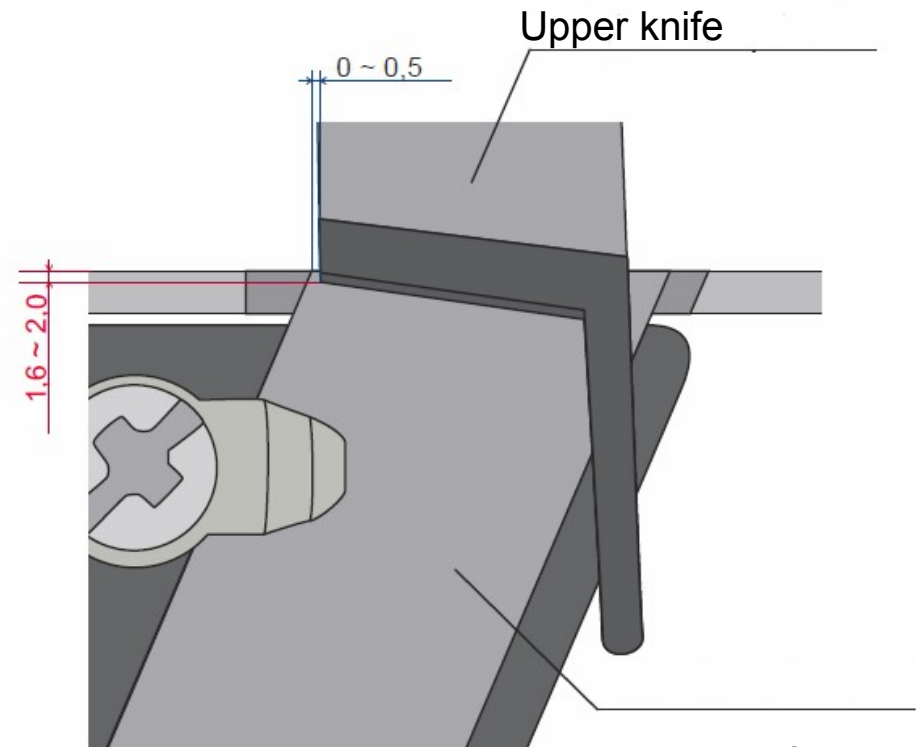
3



Upper knife

Turn the handwheel towards you to bring the upper knife in its lowest position. Loosen the upper knife screw while holding the upper knife. Remove the upper knife and change for a new knife

4



Lower knife

Check if the biting position of the upper knife is correct. Tighten screw.